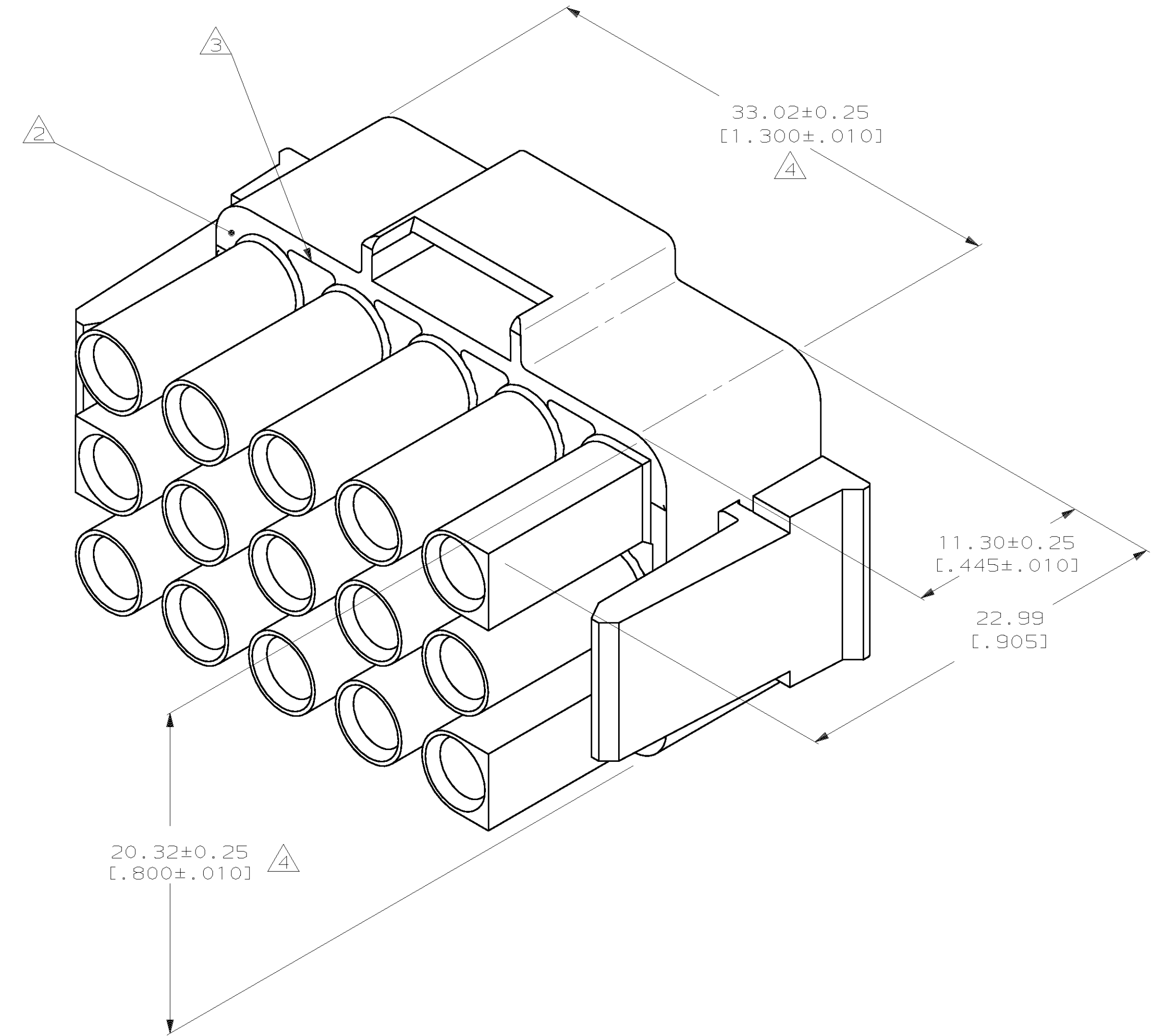


| LOC | | DIST | | P | | F | | ZONE | | LTR | | REVISIONS | | | |
|-----|----|------|--|---|--|---|--|------|--|-----|--|-------------|-------------------------|---------|-------|
| CM | 53 | | | | | | | | | | | DESCRIPTION | DATE | APPD | |
| | | | | | | | | | | | | F | REV PER EC 0L30-0036-97 | 3-17-97 | JH RS |

- MUST BE ASSEMBLED WITH PLUG REAR P/N 770044-1 BEFORE MATING. KIT P/N IS 770023-1.
- AMP LOGO LOCATED THIS SURFACE.
- NEW MOLD CONSTRUCTION PROVIDES MATERIAL REDUCTION CORING AT BASE OF SILOS WITH NO CORING AS OPTIONAL.
- DIMENSION INDICATED IS AS MOLDED. ADDITIONAL GROWTH DUE TO SUBSEQUENT MOISTURE ABSORPTION MAY OCCUR.
- DIMENSIONS IN BRACKETS ARE IN INCHES.



770043-1
PART NUMBER

METRIC

| | | | | | |
|--|--|-----------------------|--|---|--|
| DO NOT SCALE PRINT. UNLESS SPECIFIED DIMENSIONS IN mm TOLERANCES ON: | | DR 1-15-92 K. SALMON | | AMP INCORPORATED Harrisburg, Pa. 17105 | |
| 1-15-92 R. SWING | | CHK 1-15-92 R. SWING | | | |
| 2-PLC DEC ± | | APPD 1-16-92 M. TRULL | | NAME | |
| 3-PLC DEC ± 0.13 [.005] | | APPD 1-16-92 M. TRULL | | PLUG FRONT, 15 CIRCUIT, UNIVERSAL MATE-N-LOK™ II | |
| ANGLES ± | | PRODUCT SPEC | | | |
| MATERIAL NYLON, UL94V-0, | | APPLICATION SPEC | | SIZE D | |
| FINISH | | WEIGHT | | FSCH NO 00779 | |
| | | | | DRAWING NO 770043 | |
| | | | | SCALE 5:1 | |
| | | | | SHEET 1 OF 1 | |